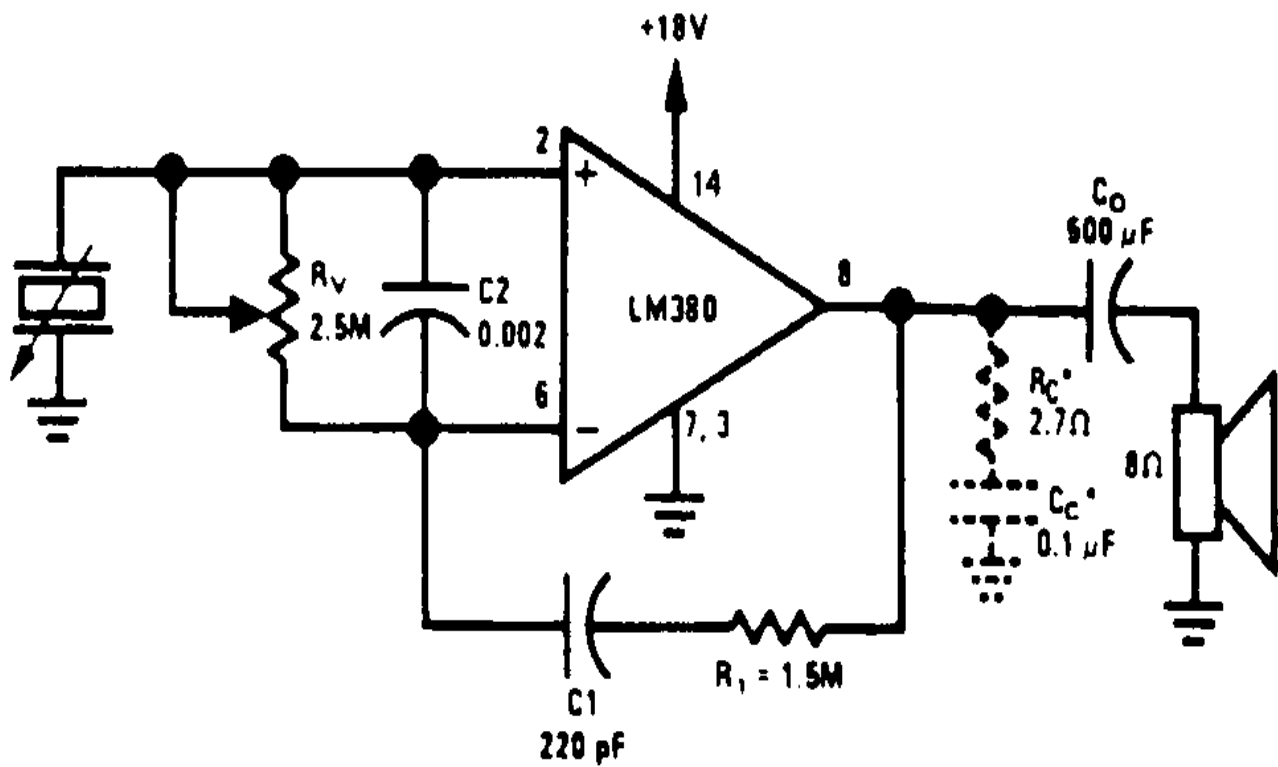


RIAA PHONO AMPLIFIER



$$\text{Mid-band gain} = \frac{R_1 + 150\text{ k}\Omega}{150\text{ k}\Omega}$$